

■ Features

- Positive and negative water pressure measurable
- Volt level output
- Piggy-back style, pre-amplified and pre-compensated module
- Pre-calibration of offset voltage and span

■ Applications

- Boiler
- Industrial instrumentation

■ Part number for ordering

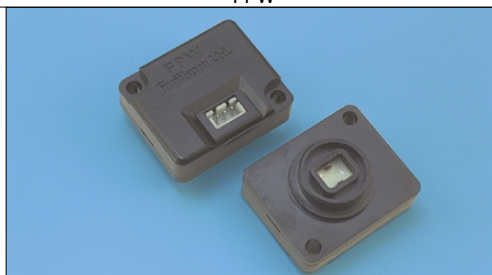
FPW - 08 G

Model
FPW

Rated pressure (PSI)

Pressure type
G : Gauge (Bipolar pressure)

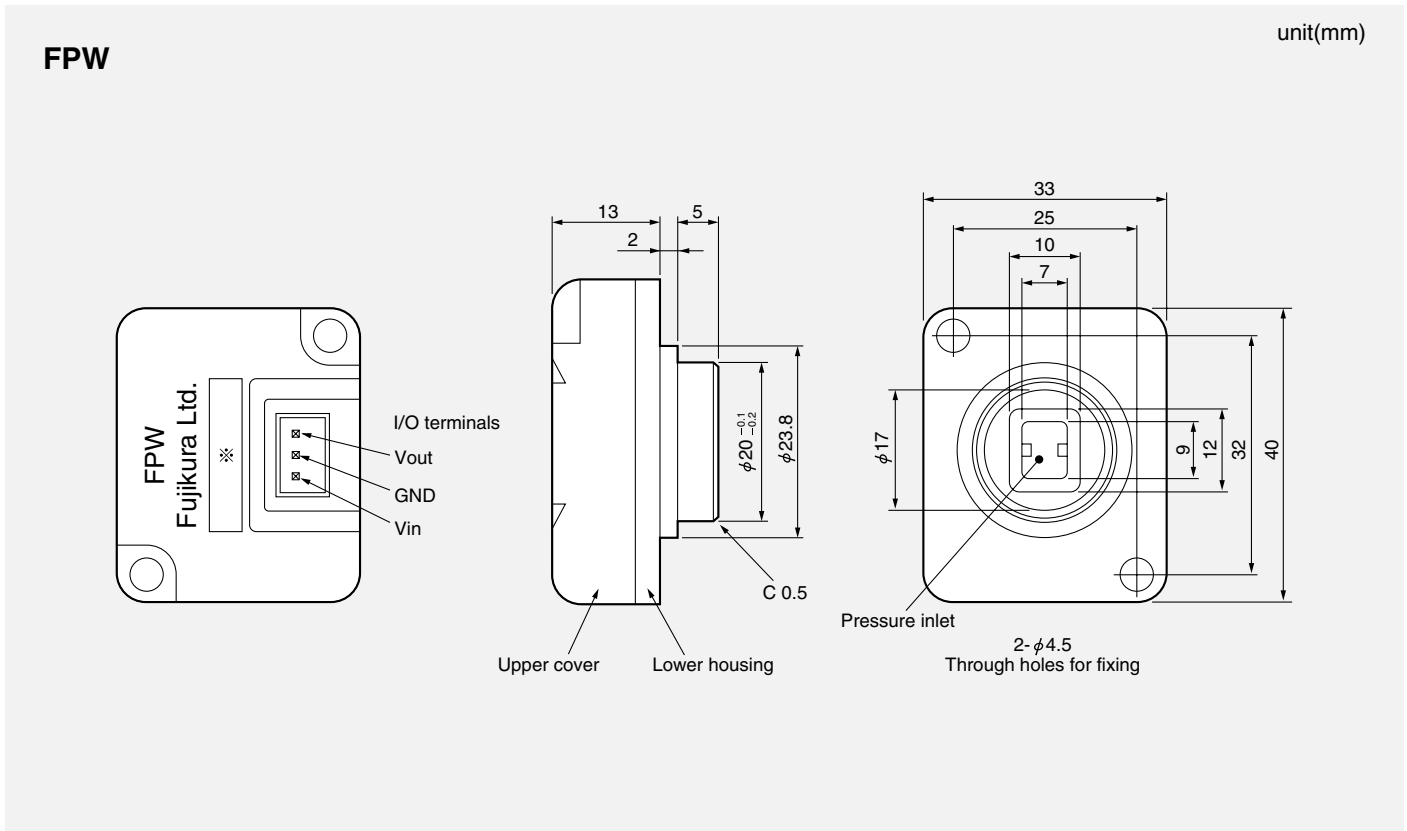
Pressure type	Gauge pressure
Model	FPW
Package configuration	Outer housing encapsulated sensor unit
Measurable pressure range (kPa)	Part number for ordering
-29.4~49.0	FPW-08G



■ Specifications

Model/Rated pressure	08G		Unit
Recommended operating conditions			
Pressure type	Gauge pressure		—
Rated pressure	-29.4~49.0		kPa
	-0.3~0.5		kg/cm ²
Measurable pressure range	-29.4~49.0		kPa
Pressure media	Bath water (including bath fragrance)		—
Excitation voltage	5.0		VDC
Absolute maximum rating			
Maximum load pressure	Positive pressure	147.1	kPa
	Negative pressure	-58.8	kPa
Maximum excitation voltage	12		VDC
Operating temperature	-20 ~ +60		°C
Storage temperature	-40 ~ +80		°C
Operating humidity	30 ~ 80 (No dew condensation)		%RH
Electric performances/characteristics (Excitation voltage Vcc=5.0V constant, Ambient temperature Ta=25 °C)			
Current consumption	less than 12		mA
Mechanical response time	5 (For the reference)		msec
Output voltage	0.3(-29.4kPa)~3.5(49.0kPa)		V
Full scale span voltage	3.2±0.12		V
Offset voltage	1.5±0.1		V
Temperature sensitivity of offset(TSO)	±4.0		%FS/0~50 °C
Temperature coefficient of sensitivity(TCS)	±4.0		%FS/0~50 °C

■ Outline dimensions ■



Note ; Please read instruction "Notes" before using the sensor.
Fujikura reserves the right to change specifications without notice.

Fujikura Ltd.

P.P.H.WObit mgr.inz.Witold Ober
ul.Gruszkowa 4 61-474 Poznań
Tel:61-8350620/621 Fax:61-8350704
email: wobit@wobit.com.pl <http://www.wobit.com.pl>