

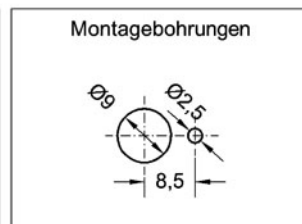
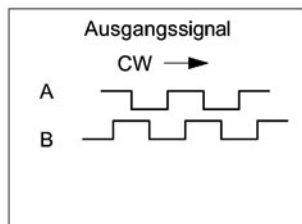
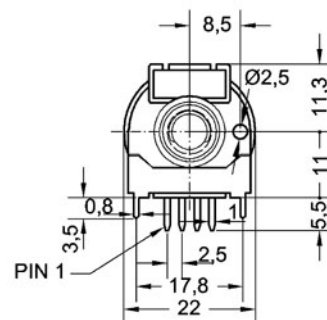
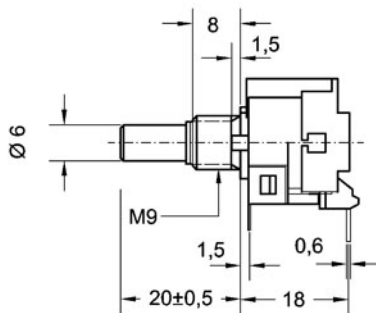
## Series M101B / Optoelectronic Encoder

- 2 channels without index
- Without click
- Resolution 25 to 128 ppr
- Compact design
- Limit frequency 500 Hz

This series covers a wide range of applications. It is useable as a manual setpoint device or an economically sensor for applications which requires a average life.



## Drawing and Interface



**Pinbelegung**

①	0V
②	A
③	B
④	+5V

## Series M101B / Optoelectronic Encoder

### Electrical Data

Pulses	25, 50, 75, 100, 128 ppr
Channels	A, B
Frequency response	500 Hz
Supply voltage	5 V $\pm$ 5%
Power consumption	30 mA

### Mechanical Data

Maximum mech. revolution	400 rpm
Life time	2,5 Mio. turns
Operating torque	< 0,5 Ncm
Fastening torque mounting nut	0,8 Nm

### Other Data

Protection class	IP40
Operating temperature	-0 .. +60°C
Storage temperature	-20 .. +80°C
Housing material	aluminium molded, plastic
Shaft material	nickel-plated brass
Disc material	metal
Weight	28 g

## Series M101B / Optoelectronic Encoder

### Options and Order Code

Description	Series	Options		
Type	M101B			
Pulses / rev.		25 <b>50</b> 75 <b>100</b> 128		
Supply voltage 5V			<b>5</b>	
Channels A + B				<b>B</b>
<b>Example Order Code</b>	<b>M101B</b>	<b>100</b>	<b>5</b>	<b>B</b>

Preference types (bold) are available from stock.

### Our speciality are custom solutions

Examples: Customized shafts, Mounting of gear wheels and other mechanical parts, assembling of cables, connectors and more. Please ask us.

The specifications and information in this datasheet cannot consider all special demands that are caused by the application. Because of this, they are no general description of the properties of the product.

21. September 2005. All specifications are subject to change without notice.