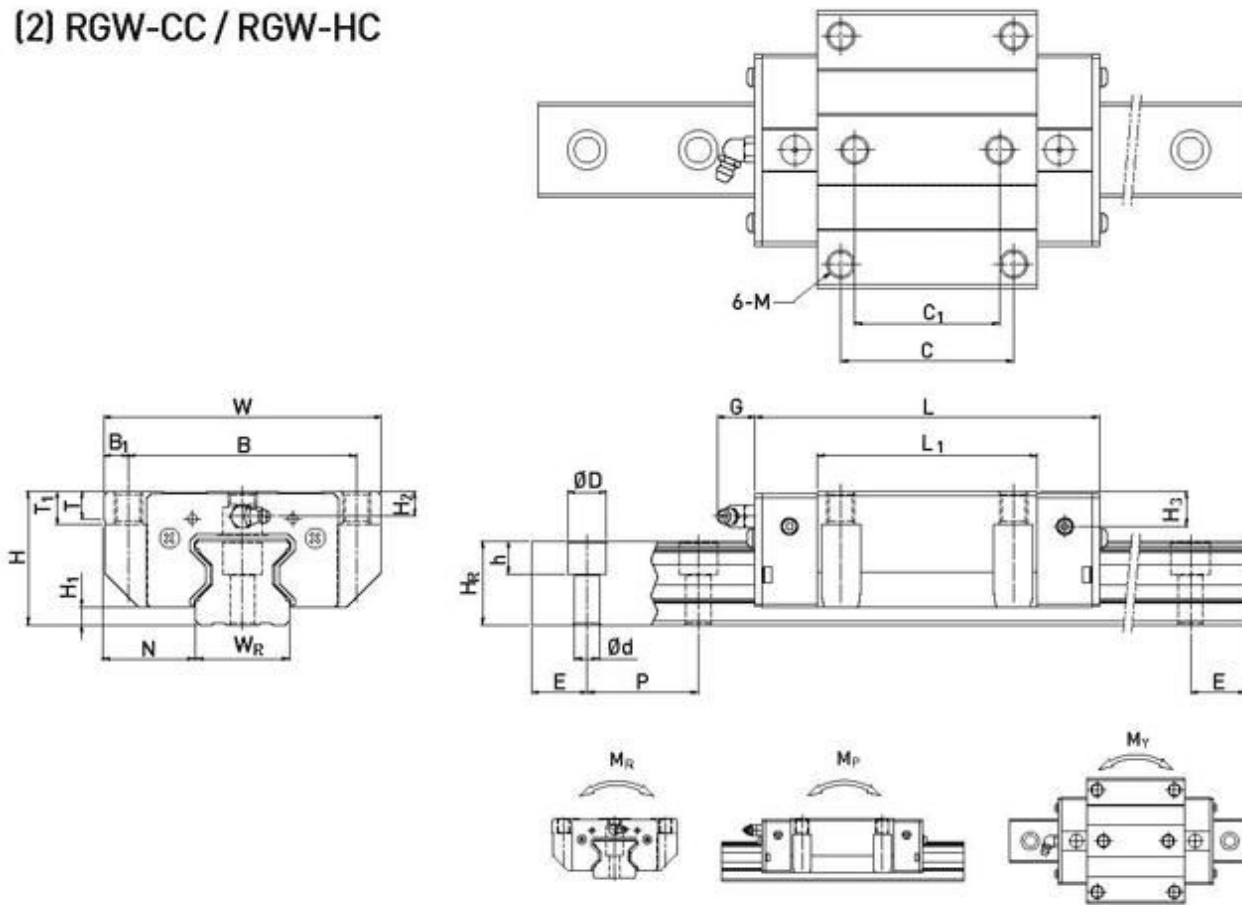


[2] RGW-CC / RGW-HC



| Model No. | Dimensions of Assembly (mm) | | | Dimensions of Block (mm) | | | | | | | | | | | Dimensions of Rail (mm) | | | | | Mounting Bolt for Rail (mm) | Basic Dynamic Load Rating C (kN) | Basic Static Load Rating C _s (kN) | Static Rated Moment | | | Weight | | | | | | | |
|-----------|-----------------------------|----------------|------|--------------------------|-----|----------------|----|----------------|----------------|-------|------|-----|-----|----------------|-------------------------|----------------|----------------|----------------|----|-----------------------------|----------------------------------|--|---------------------|--------|-------|--------|--------|---------------------|----------------|----------------|----------------|-------|------|
| | H | H ₁ | N | W | B | B ₁ | C | C ₁ | L ₁ | L | G | M | T | T ₁ | H ₂ | H ₃ | W _r | H _r | D | | | | h | d | P | E | C (kN) | C _s (kN) | M _x | M _y | M _z | Block | Rail |
| | | | | | | | | | | | | | | | | | | | | | | | | | | | | | kN-m | kN-m | kN-m | kg | kg/m |
| RGW 25CC | 36 | 5.5 | 23.5 | 70 | 57 | 6.5 | 45 | 40 | 64.5 | 97.9 | 12 | M8 | 9.5 | 10 | 6.2 | 6 | 23 | 23.6 | 11 | 9 | 7 | 30 | 20 | M6x20 | 27.7 | 57.1 | 0.758 | 0.605 | 0.605 | 0.67 | 3.08 | | |
| RGW 25HC | | | | | | | | 81 | | 114.4 | | | | | | | | | | | | | | | 33.9 | 73.4 | 0.975 | 0.991 | 0.991 | 0.86 | | | |
| RGW 35CC | 48 | 6.5 | 33 | 100 | 82 | 9 | 62 | 52 | 79 | 124 | 12 | M10 | 12 | 13 | 9 | 12.6 | 34 | 30.2 | 14 | 12 | 9 | 40 | 20 | M8x25 | 57.9 | 105.2 | 2.17 | 1.44 | 1.44 | 1.61 | 6.06 | | |
| RGW 35HC | | | | | | | | 106.5 | | 151.5 | | | | | | | | | | | | | | | 73.1 | 142 | 2.93 | 2.6 | 2.6 | 2.21 | | | |
| RGW 45CC | 60 | 8 | 37.5 | 120 | 100 | 10 | 80 | 60 | 106 | 153.2 | 12.9 | M12 | 14 | 15 | 10 | 14 | 45 | 38 | 20 | 17 | 14 | 52.5 | 22.5 | M12x35 | 92.6 | 178.8 | 4.52 | 3.05 | 3.05 | 3.22 | 9.97 | | |
| RGW 45HC | | | | | | | | 139.8 | | 187 | | | | | | | | | | | | | | | 116 | 230.9 | 6.33 | 5.47 | 5.47 | 4.41 | | | |
| RGW 55CC | 70 | 10 | 43.5 | 140 | 116 | 12 | 95 | 70 | 125.5 | 183.7 | 12.9 | M14 | 16 | 17 | 12 | 17.5 | 53 | 44 | 23 | 20 | 16 | 60 | 30 | M14x45 | 130.5 | 252 | 8.01 | 5.4 | 5.4 | 5.18 | 13.98 | | |
| RGW 55HC | | | | | | | | 173.8 | | 232 | | | | | | | | | | | | | | | 167.8 | 348 | 11.15 | 10.25 | 10.25 | 7.34 | | | |

Note : 1 kgf = 9.81 N